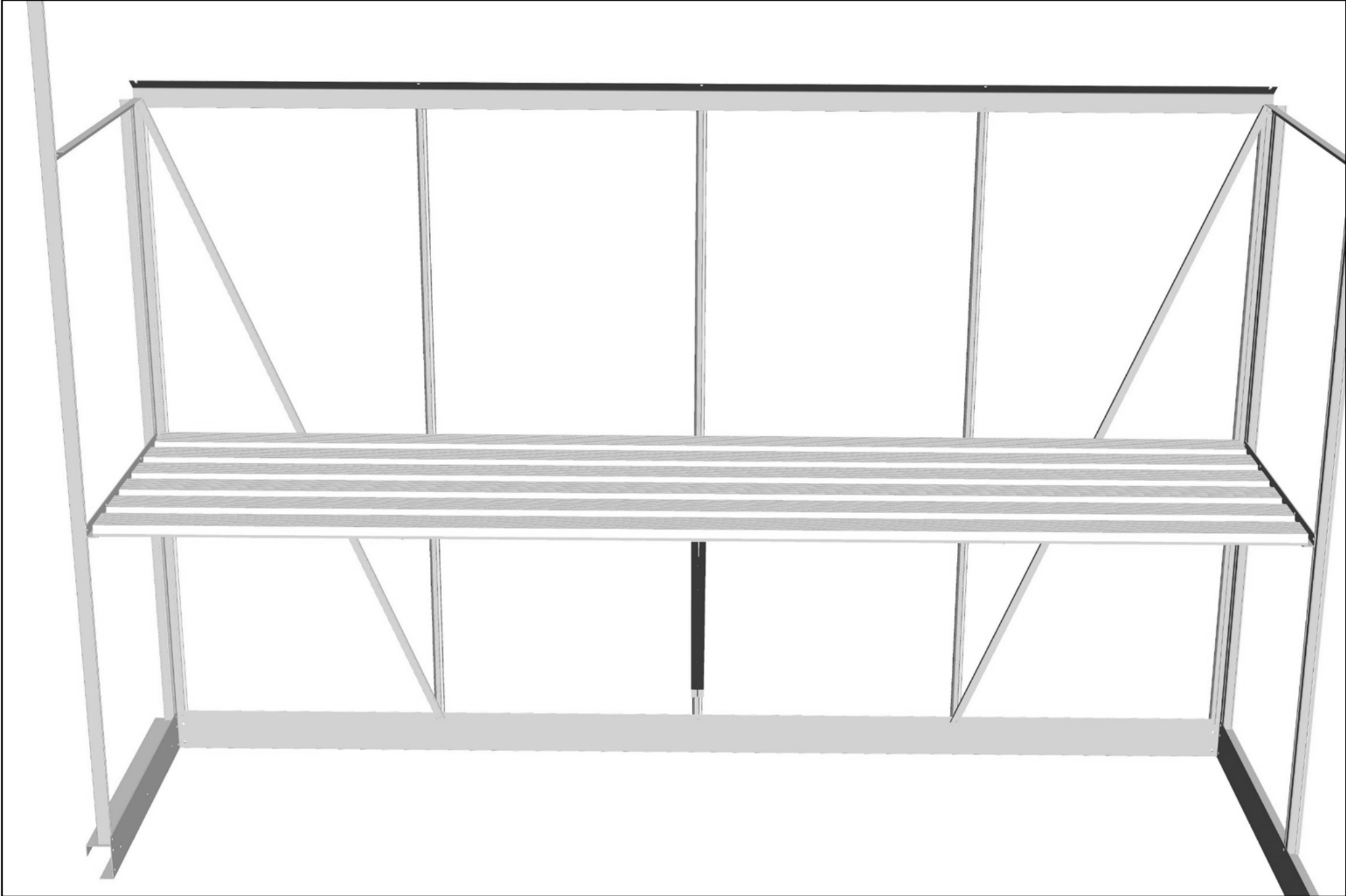




JULIANA®

Integral
Staging and
Shelving





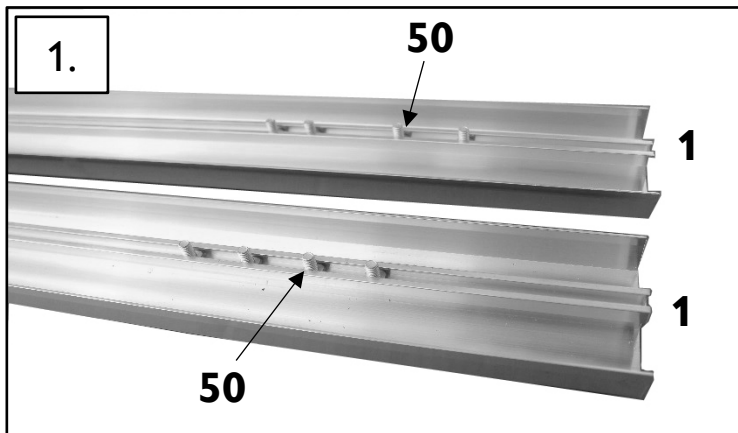


STAGING COMONENTS	POS	Length mm	5FT	7FT	9FT	No:
	1	1443	6	-	-	RP2086231443
	1	2161	-	6	-	RP2086232161
	1	2879	-	-	6	RP2086232879
	2-LH	734	1	1	1	RP025920734-LH
	2-RH	724	1	1	1	RP025920734-RH
	3	662	1	2	3	RP241380662
	4	905	1	2	3	RP048010905
	49	-	10	14	16	N00300610
	50	-	30	35	40	N00300605
	51	-	46	49	62	N00300655
	56	-	6	6	6	N00300656

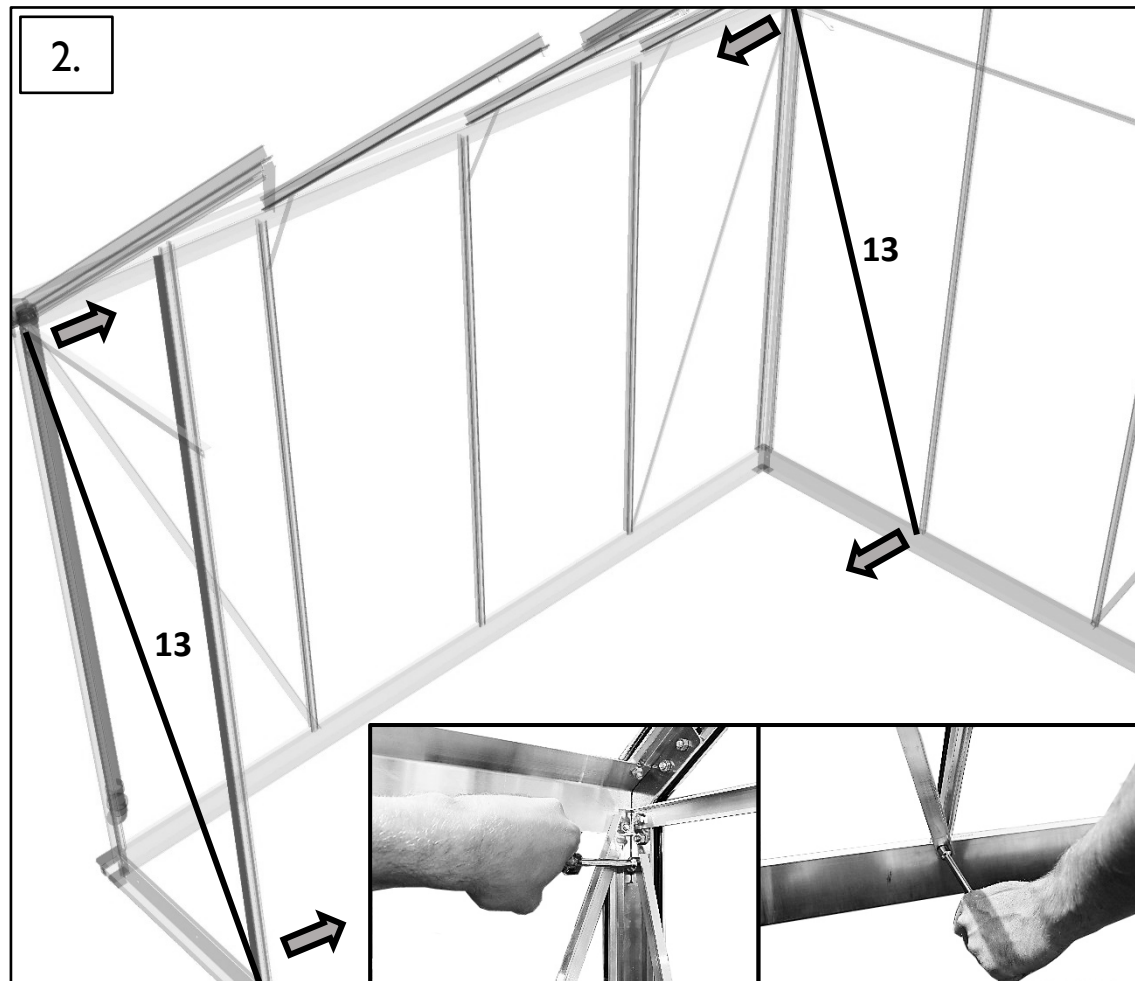
The above components are for STAGING only. NOTE: 5FT / 9FT models contain extra components for JOINING staging

See Page 9 for information how to join the Staging / Shelving

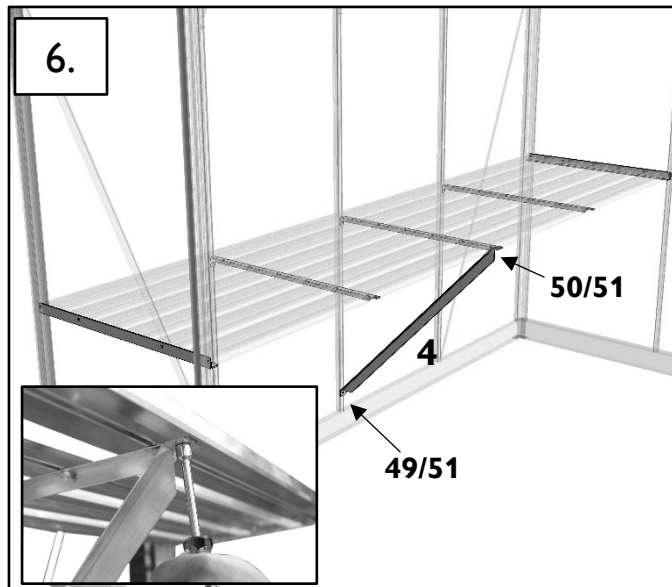
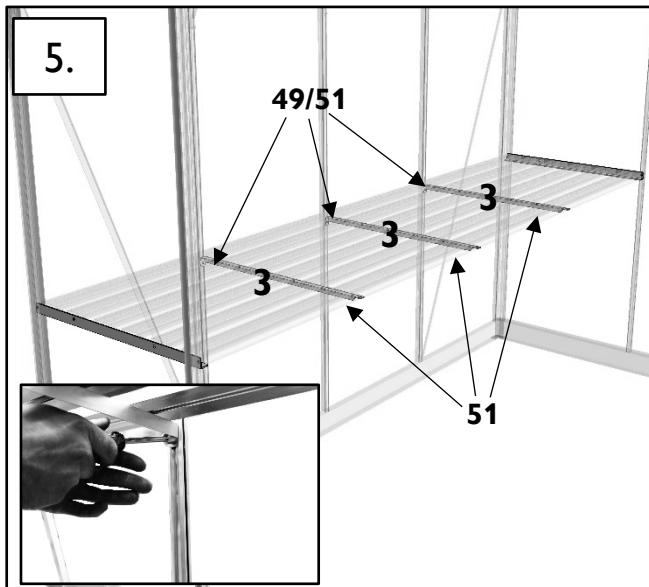
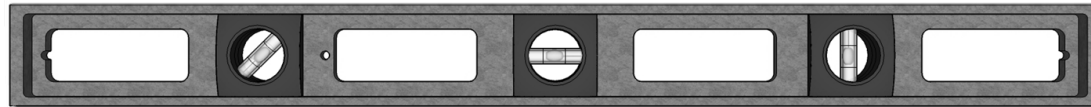
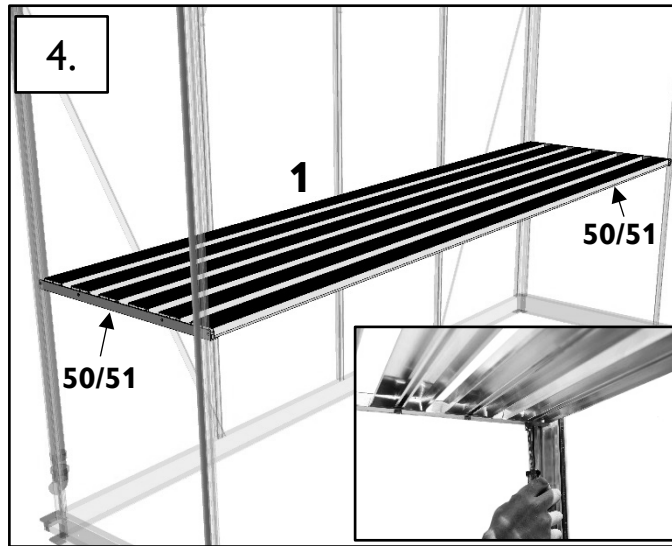
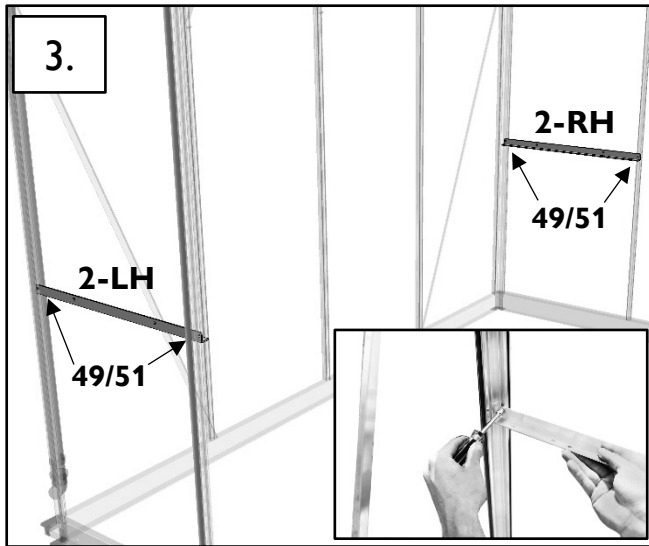
9x12 +	9 X 12	QTY	9 X 14 12 X 14	QTY	12 X 16	QTY	12 X 18	QTY
1 + 1	5FT 7FT	1 1	7FT 7FT	1 1	7FT 9FT	1 1	9FT 9FT	1 1



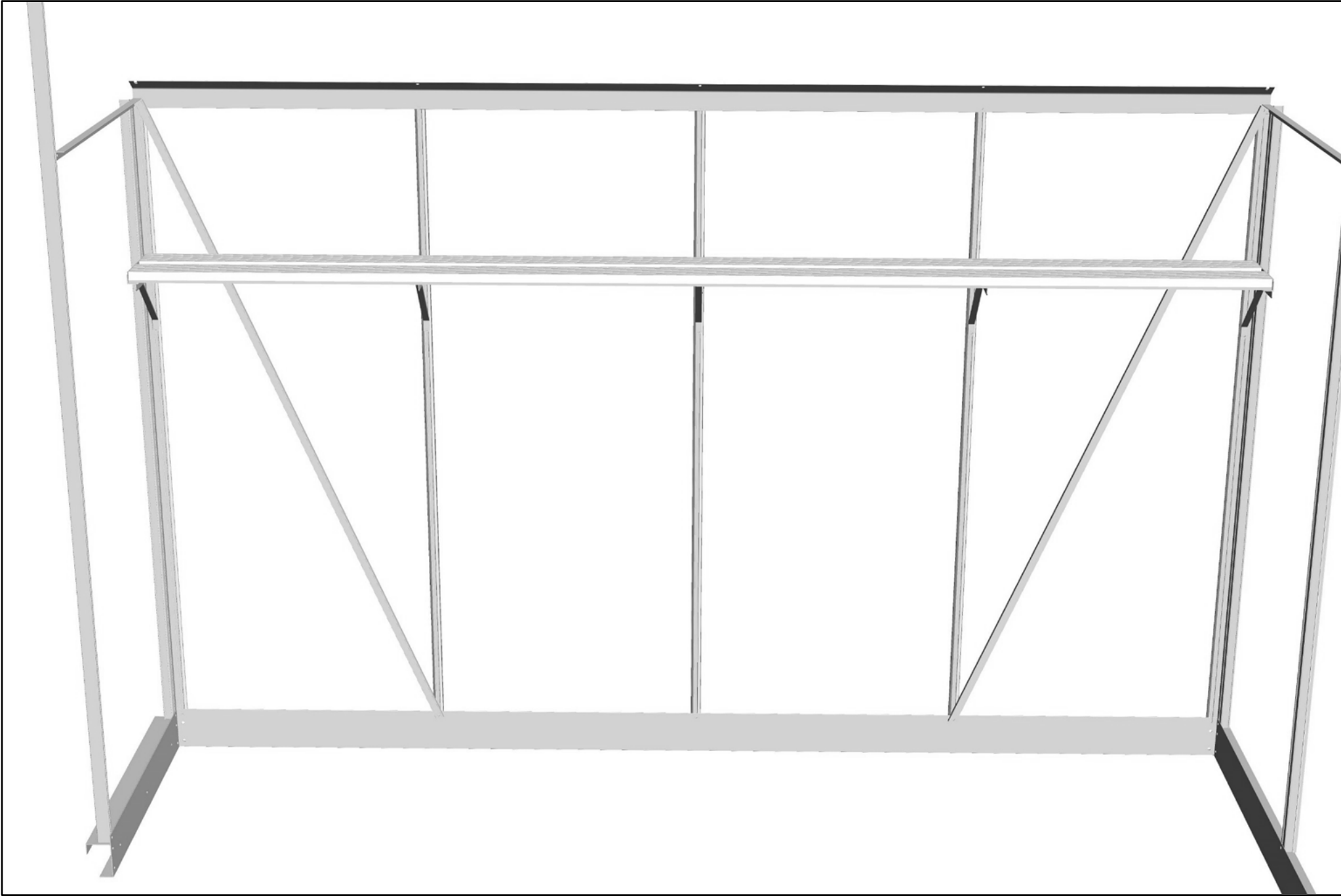
PRE-LOAD EACH SLAT (1)		
5FT	7FT	9FT
3	4	5













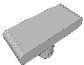
REMOVE BRACING ON DESIRED SIDE	
	ALL
POS	13



	POS	Length mm	5FT	7FT	9FT
	1	1443	6	-	-
	1	2161	-	6	-
	1	2879	-	-	6
	2-LH	734	1	1	1
	2-RH	734	1	1	1
	3	662	1	2	3
	4	905	1	2	3
	49	-	10	14	16
	50	-	30	35	40
	51	-	46	49	62
	56	-	6	-	6



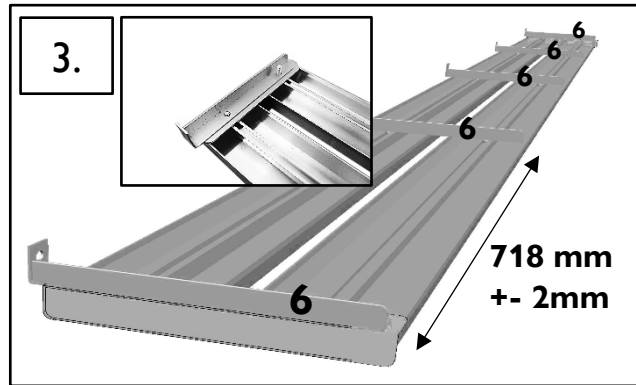
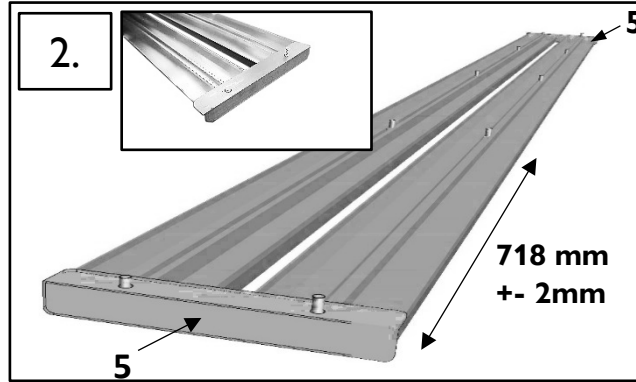
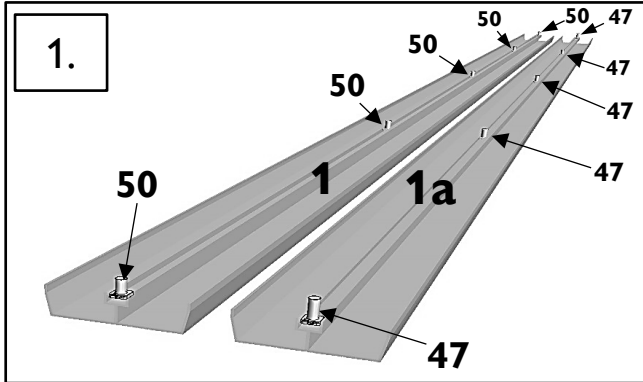


SHELVING COMPONENTS	POS	Length mm	5FT	7FT	9FT	No:
	1	1443	2	-	-	RP2086231443
	1	2161	-	2	-	RP2086232161
	1	2879	-	-	2	RP2086232879
	5	182	2	2	2	RP025920182
	6	212	3	4	5	RP241380212
	7	230	3	4	5	RN235570230
	47	-	2	2	2	N00300625
	49	-	10	10	14	N00300610
	50	-	10	10	14	N00300605
	51	-	24	22	32	N00300655
	56	-	2	2	2	N00300656

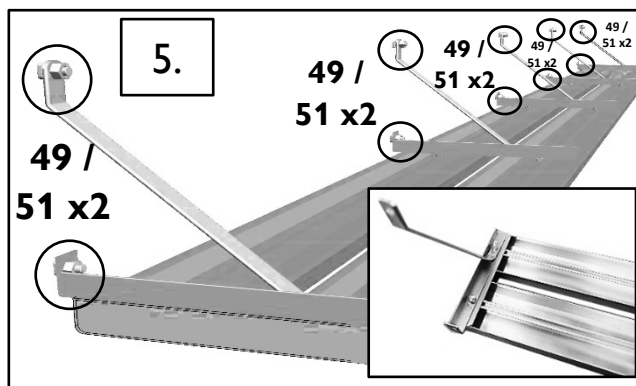
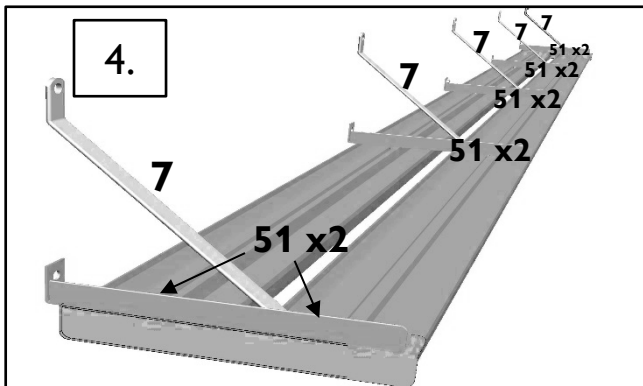
The above components are for SHELVING only. NOTE: 5FT / 9FT models contain extra components for JOINING shelving

See Page 9 for information how to join the Staging / Shelving

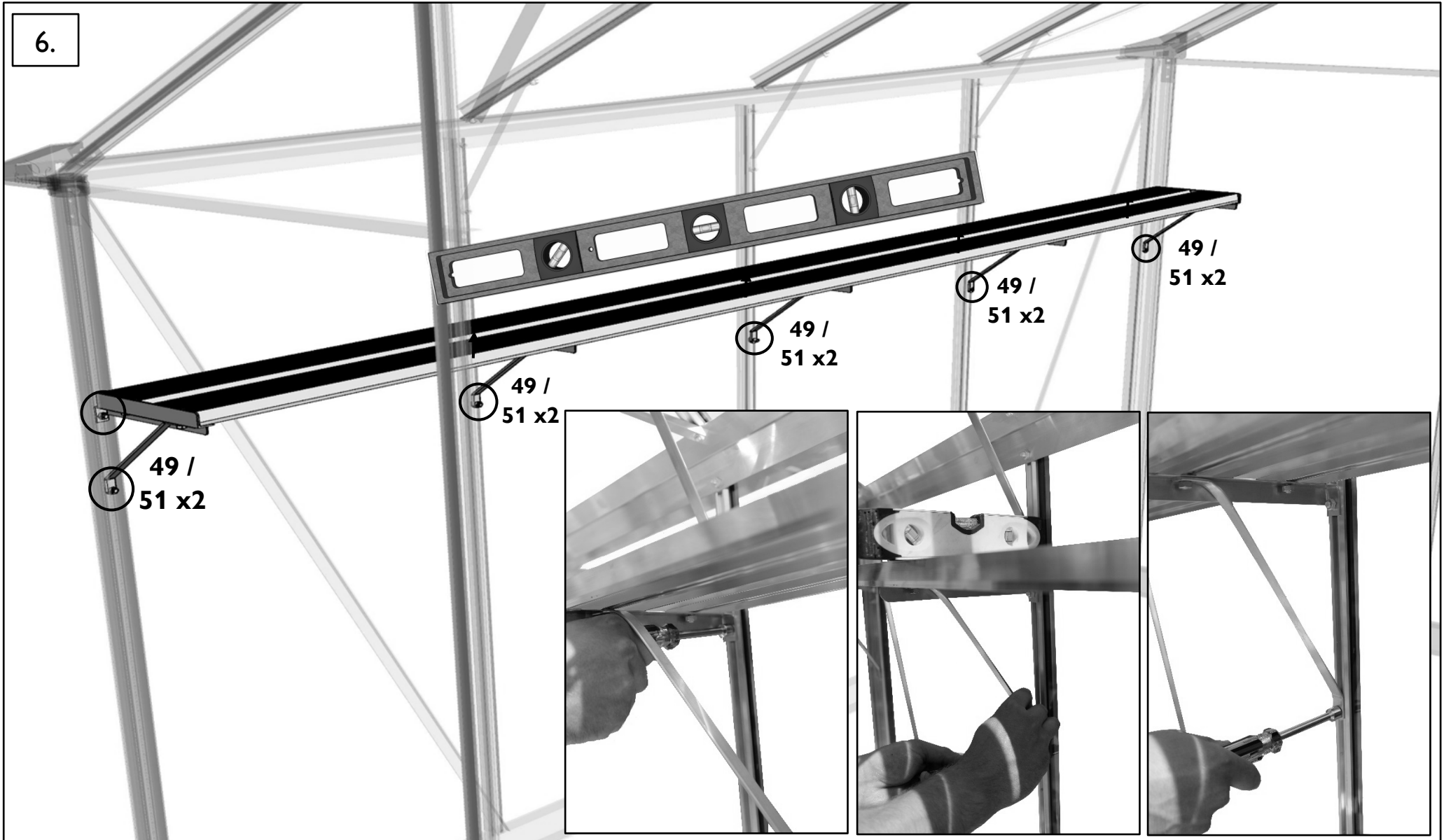
9x12 +	9 X 12	QTY	9 X 14 12 X 14	QTY	12 X 16	QTY	12 X 18	QTY
1 + 1	5FT 7FT	1 1	7FT 7FT	1 1	7FT 9FT	1 1	9FT 9FT	1 1

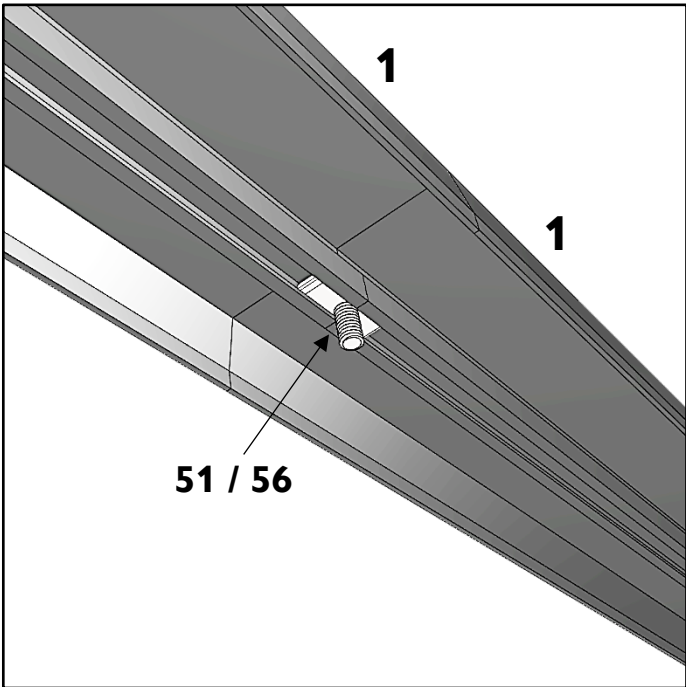
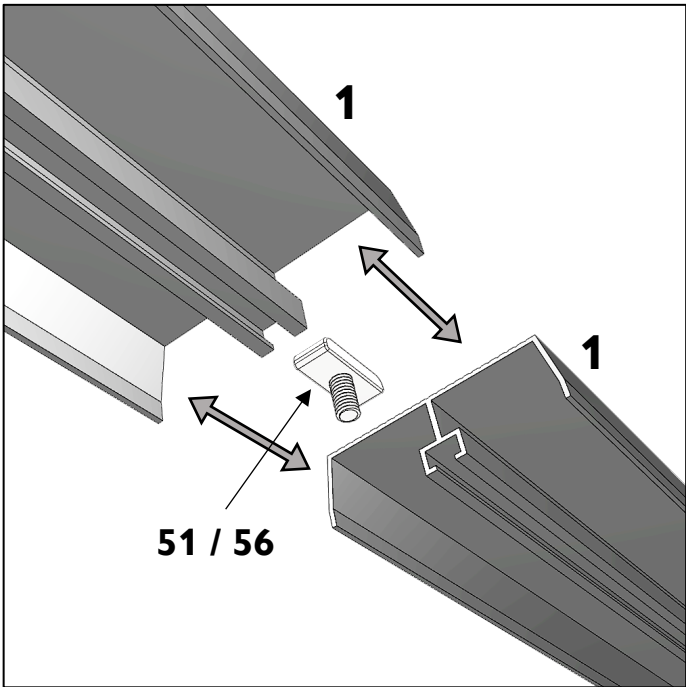
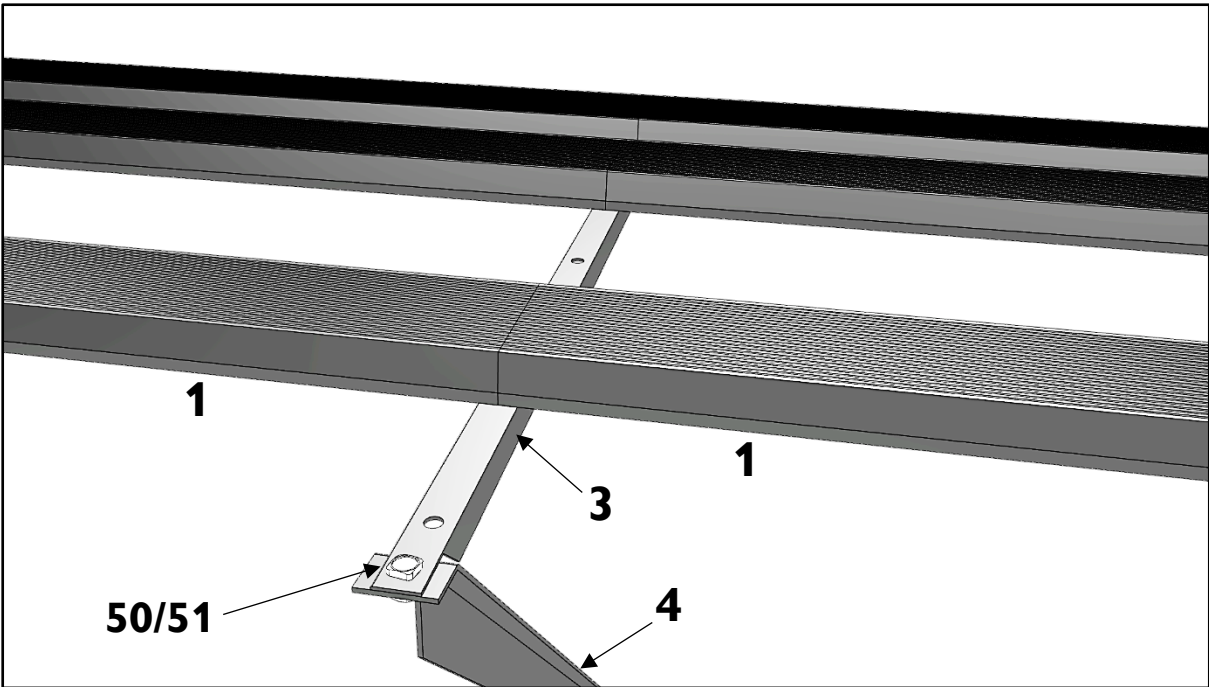
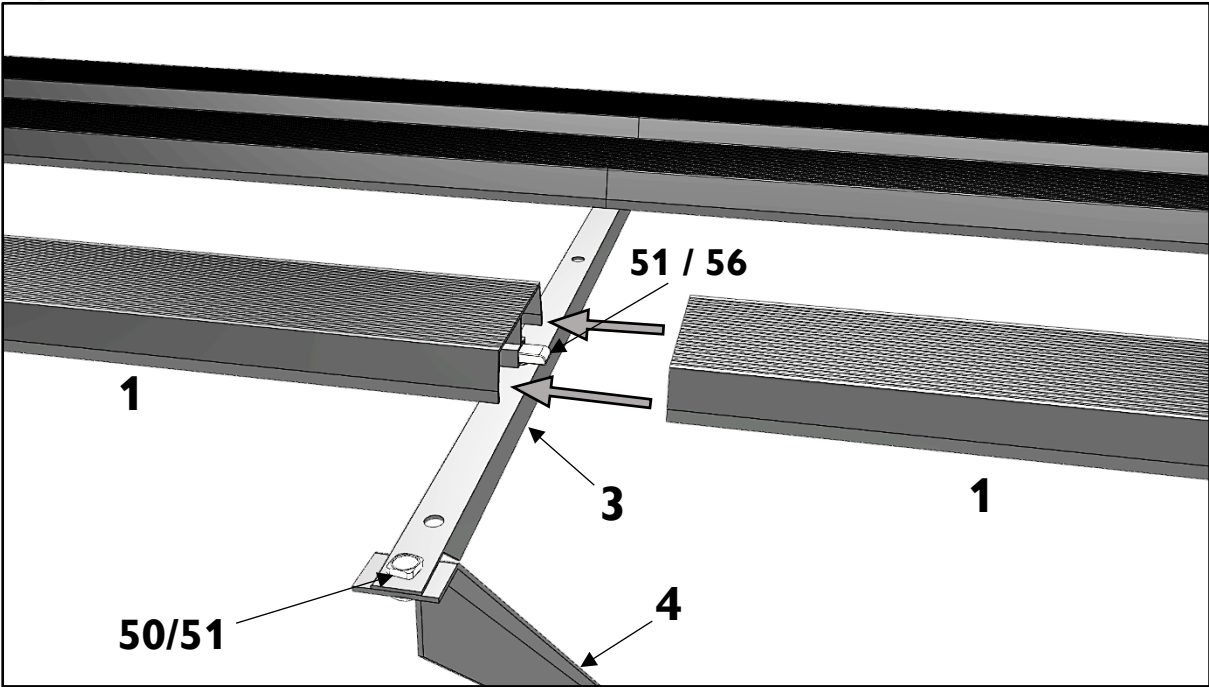


PRE-LOAD EACH SLAT (1)		50	
PRE-LOAD EACH SLAT (1-1)		50 / 47	
	5FT	7FT	9FT
1	3	4	5
1a	1 / 2	2 / 2	3 / 2



	POS	Length mm	5FT	7FT	9FT
	1	1443	2	-	-
	1	2161	-	2	-
	1	2879	-	-	2
	5	182	2	2	2
	6	212	3	4	5
	7	230	3	4	5
	47	-	2	2	2
	49	-	10	10	14
	50	-	10	10	14
	51	-	24	22	32
	56	-	2	-	2









DENMARK:

Juliana Drivhuse A/S
Sivlandvænget 29, DK - 5260
Odense, Denmark
+ 45 66 11 18 11

UK:

Juliana Group Ltd
The Distribution Centre, Stoke
Road
Cheltenham, GL52 7RS
+ 44 (0) 1242 676625

GERMANY:

Juliana Gewächshäuser GmbH
Hammer Deich 70
20537 Hamburg, Germany
+ 49 (0) 1805 136 143

www.julianagreenhouses.com

We reserve the right to modify components, accessories, technical specifications and related documentation of the product described herein at any time without notice as part of our policy of continuous development and improvement.